



HXS 400 Unmixed Two Color Injection Molding Machine

Parameter

Model: HXS 400 Unmixed Two Color Injection Molding Machine								
Technical Parameter Table			A&A	A&B	A&C	B&A	B&B	B&C
Injection Unit	Screw Diameter	mm	45	50	55	38	42	45
	Screw L/D Ratio	L/D	22.2	20	18.2	23.1	20.9	19.5
	Injection Capacity (Theoretical)	cm ³	342	422	510	210	256	294
	Injection Weight (Ps)	G	311	384	465	190	233	268
	Injection Pressure	MPa	216	175	144	210	172	150
	Injection Rate	g/s	150	185	225	97	118	135
	Plasticizing Capacity	g/s	21	26	33	17	21	23
	Screw Speed	rpm	190	190	190	240	240	240
Clamping Unit	Clamp Force	KN	4000					
	Open Stroke	mm	620					
	Max. Mould Height	mm	650					
	Min. Mould Height	mm	250					
	Space Between Tie-Bars (W×H)	mm	1020 × 620					

Ningbo Jiangdong HYSION Machinery Co., Ltd.

Address: No.36 Yongjiang South Road, Beilun District, Ningbo, Zhejiang, China

Tel: +86-574-27858986

Fax: +86-574-27858980

E-mail: haixiongmach@gmail.com geweicun@163.com

	Ejector Force	KN	53	
	Ejector Stroke	mm	200	
	Ejector Number	n	1*2	
	Wheel Diameter	mm	1010	
Others	Pump Pressure	MPa	16	
	Motor Power	KW	22	15
	Heating Power	KW	12.5	7.5
	Machine Dimension (L x W x H)	m	6.92 x 1.95 x 2.15	
	Machine Weight	t	17	

Ningbo Jiangdong HYSION Machinery Co., Ltd.

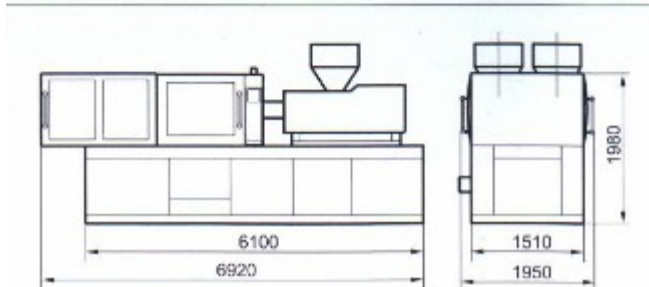
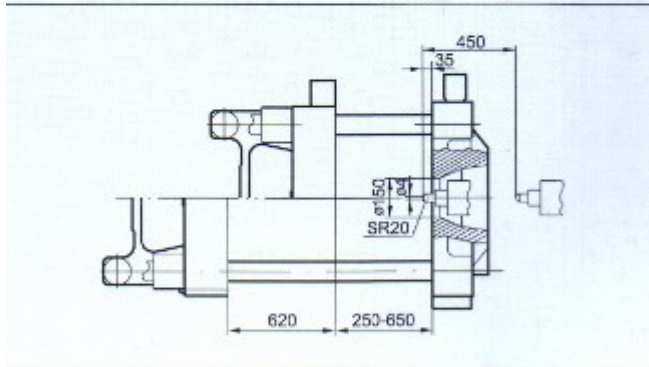
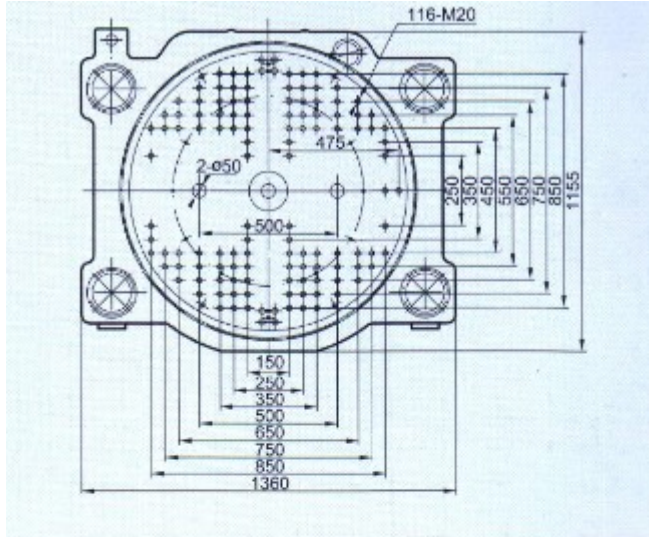
Address: No.36 Yongjiang South Road, Beilun District, Ningbo, Zhejiang, China

Tel: +86-574-27858986

Fax: +86-574-27858980

E-mail: haixiongmach@gmail.com geweicun@163.com

Mold Plate Dimension



Ningbo Jiangdong HYSION Machinery Co., Ltd.

Address: No.36 Yongjiang South Road, Beilun District, Ningbo, Zhejiang, China

Tel: +86-574-27858986

Fax: +86-574-27858980

E-mail: haixiongmac@gmail.com geweicun@163.com